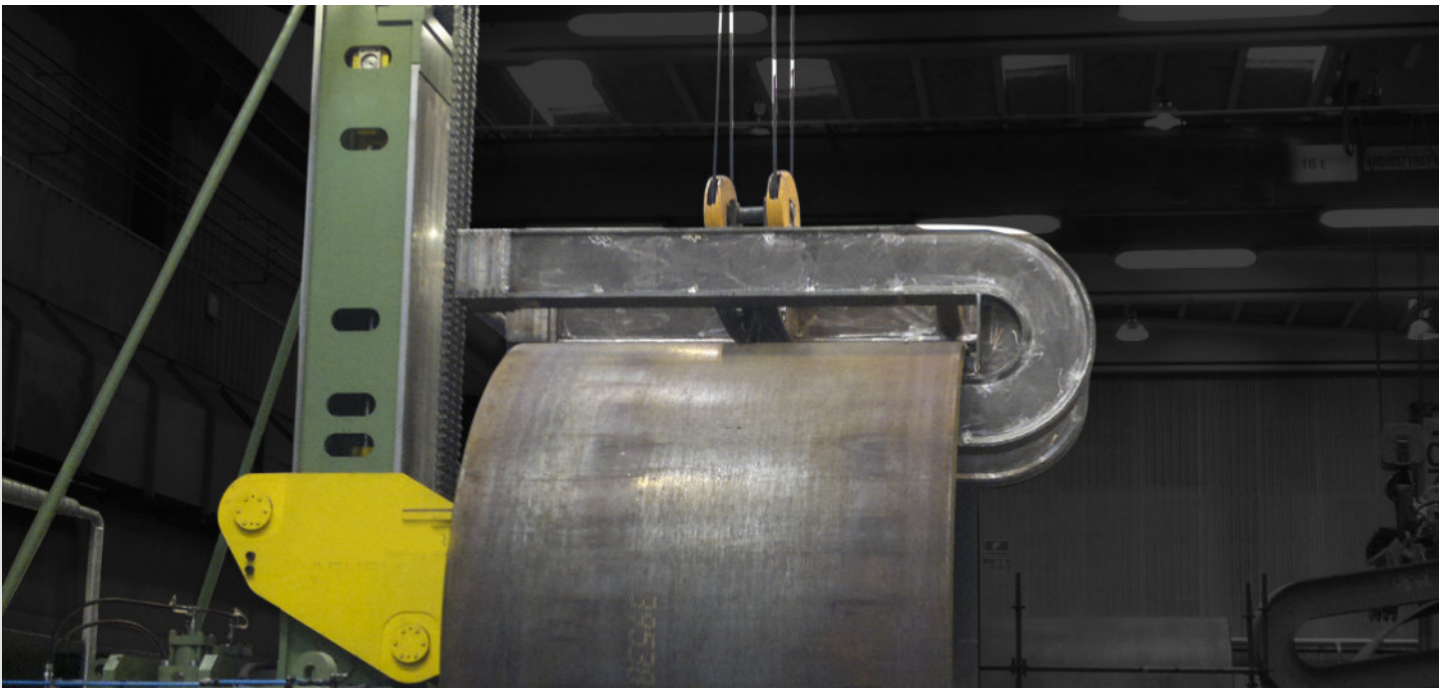


C-Hooks

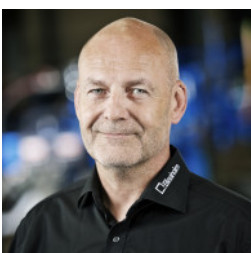
C-Hooks lifts cans in the production of onshore/offshore wind turbines, monopiles, tanks or pipes.

We fulfill specifications with customized design and construction.



- Do you have any conditions at the factory floor that requires specially designed C-Hook?

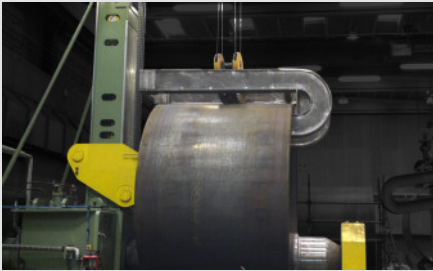
Send us an inquiry today. We design C-Hooks customized to your specifications and physical production conditions.



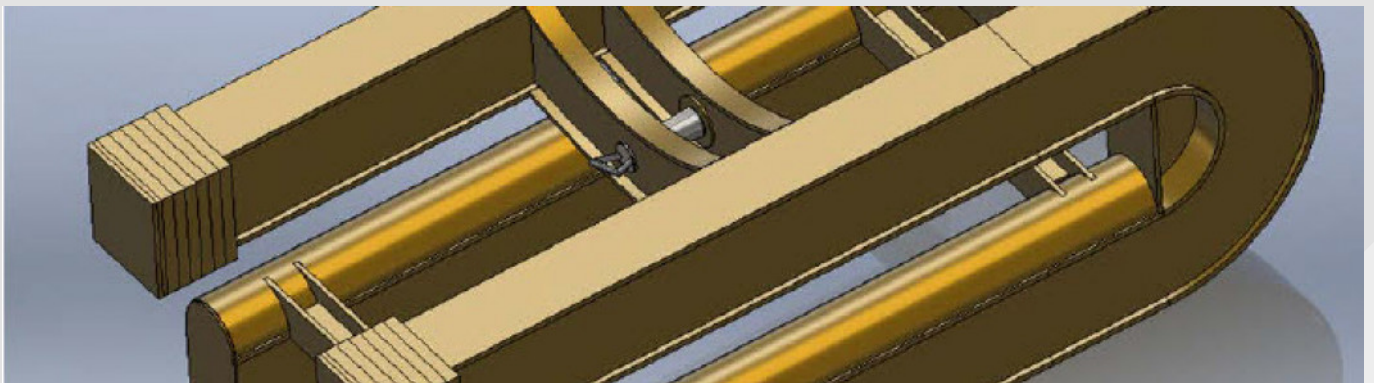
WOULD YOU LIKE TO KNOW MORE?

Jesper Aarup Hansen
Technical Sales Manager

+45 4052 8546
jh@blaaholm.com

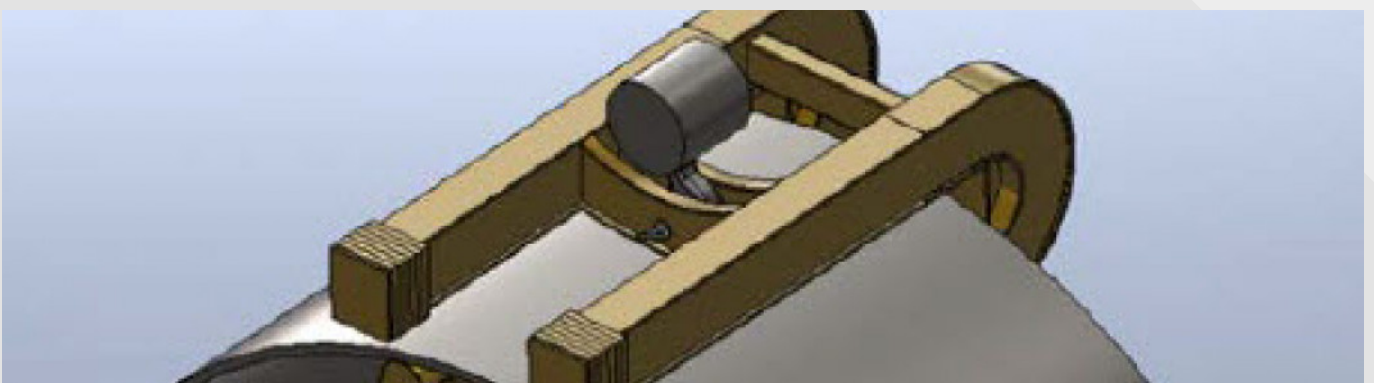


C-Hooks



- C-Hook is designed and constructed according to the lifting requirements of your specifications.
- C-Hook can be designed as a single or twin model. Do you have challenges with limited lifting height in the production area, a specially designed twin model can be the right solution.
- No operating costs beyond the recommended inspections as a standard C-Hook has no moving parts.
- C-Hook is manufactured for minimal welding and with its short production time.

Technical Specifications



- C-Hook meets all the requirements of the norm DS/EN 13155.
- The welding meets the requirements of the norm ISO 3834-2.
- The counterweight ensures that the C-Hook is always level with no load.